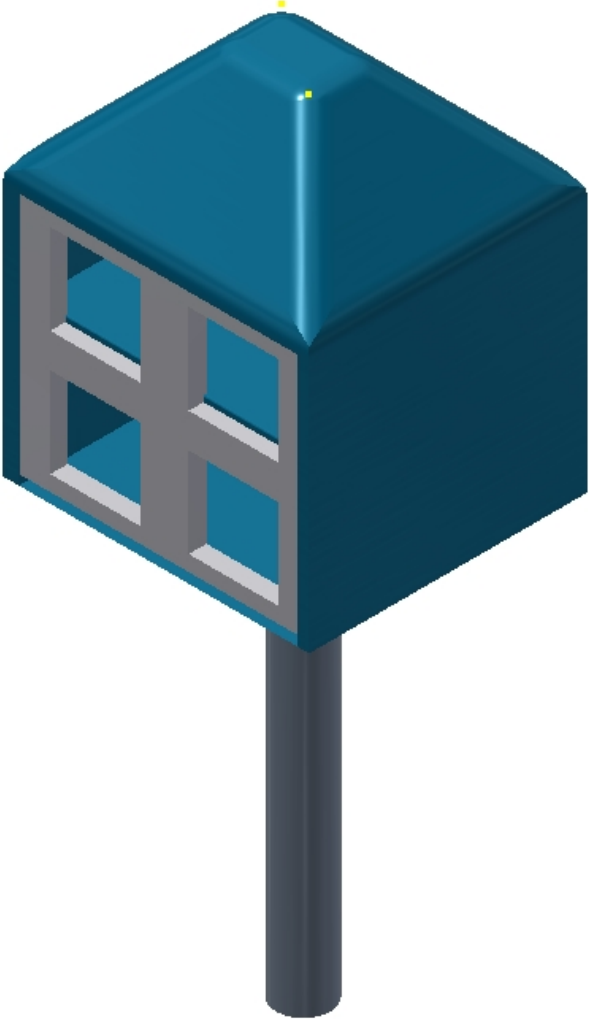
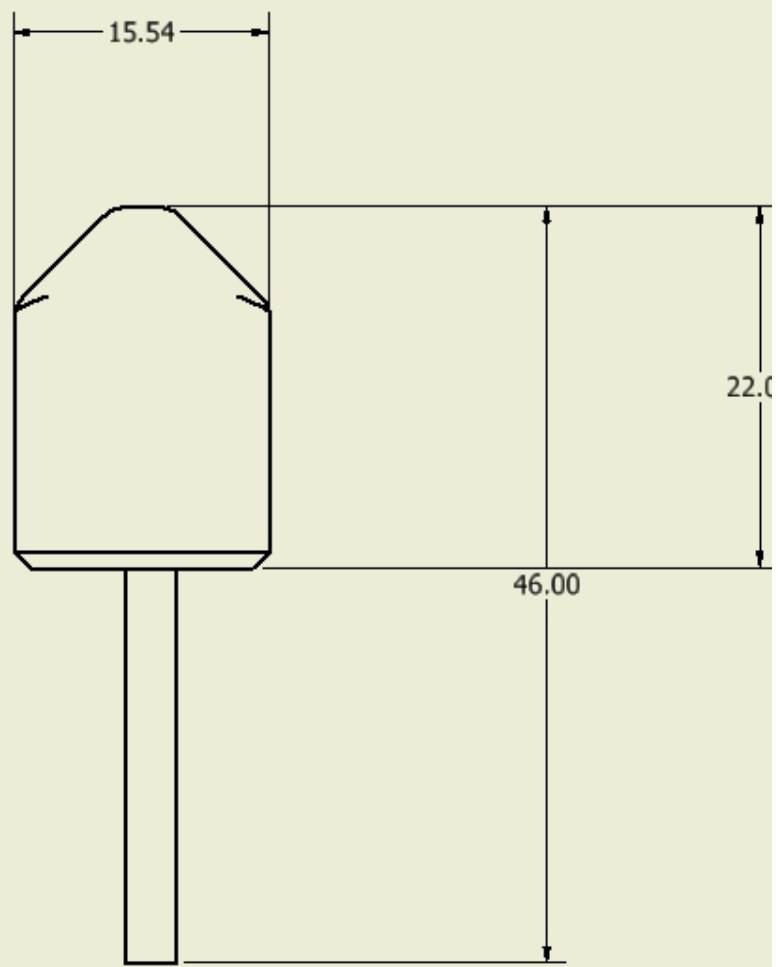
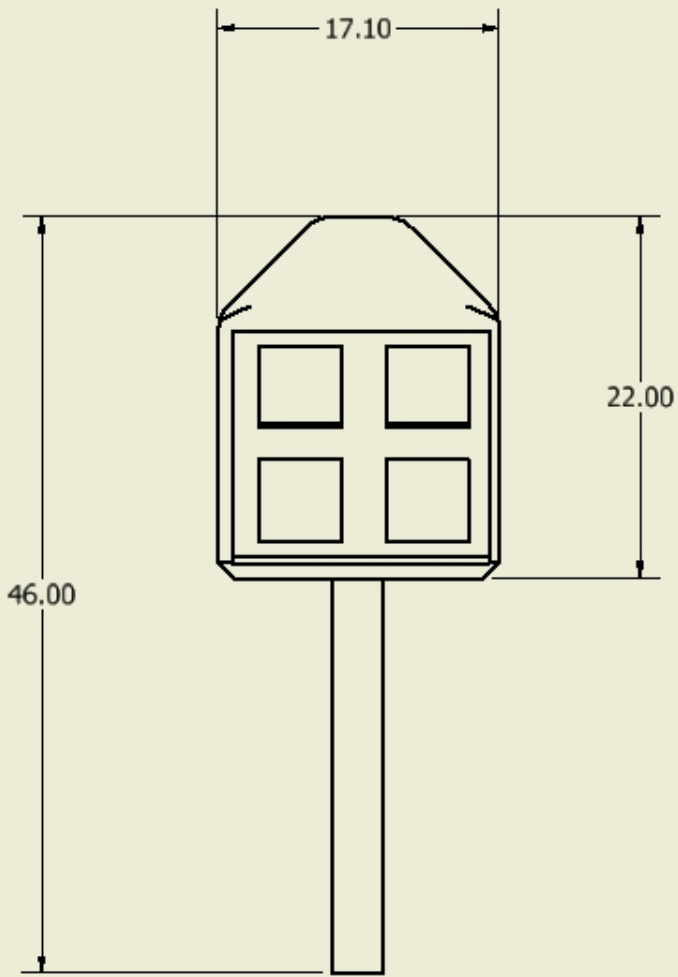


This design is for Fulton. The change, after feedback from the school, is that it will be about 33 inches tall to the bottom of the roofline rather than the 22 inch total height shown below and will have the bottom and two additional shelves for books to sit on.

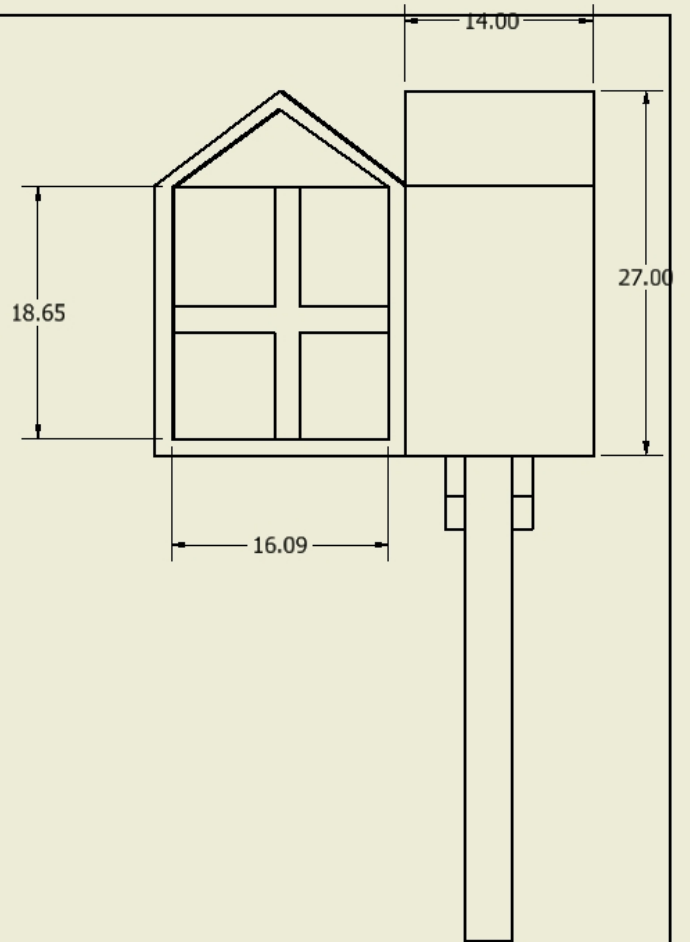
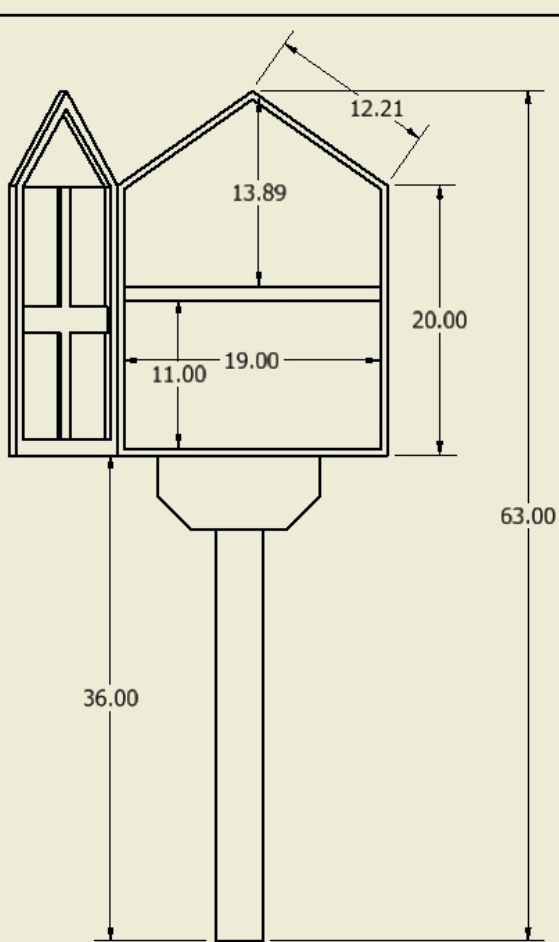




Date	11-27-17	Hayward Big Red	
Period	3rd	Student Name	john bryant

This is for Kenwood and the only major difference is the color and 2 inches shorter and maybe 3 inches thinner.

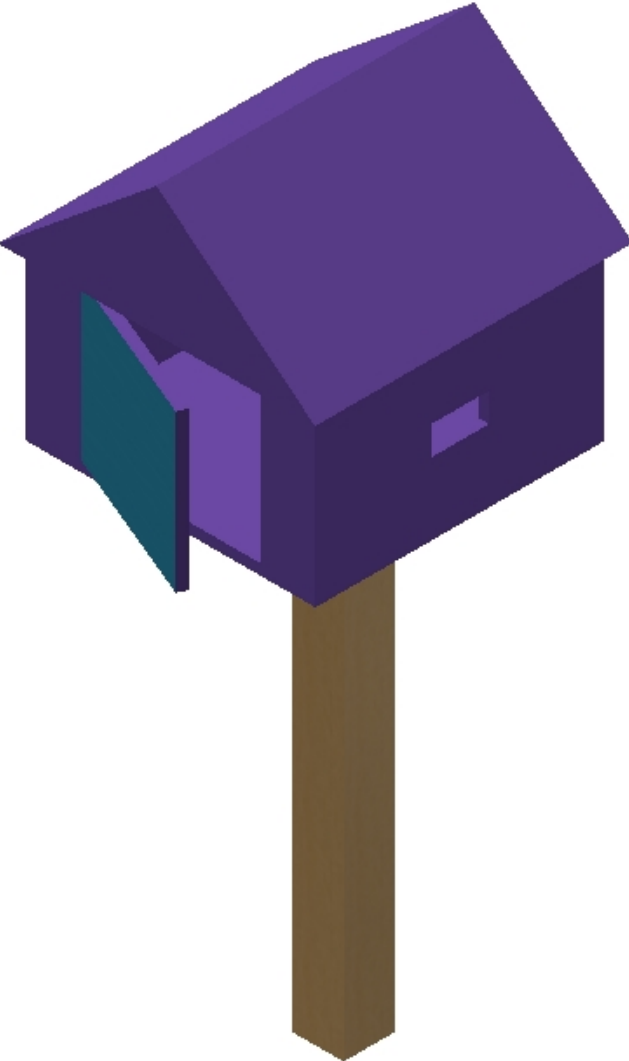


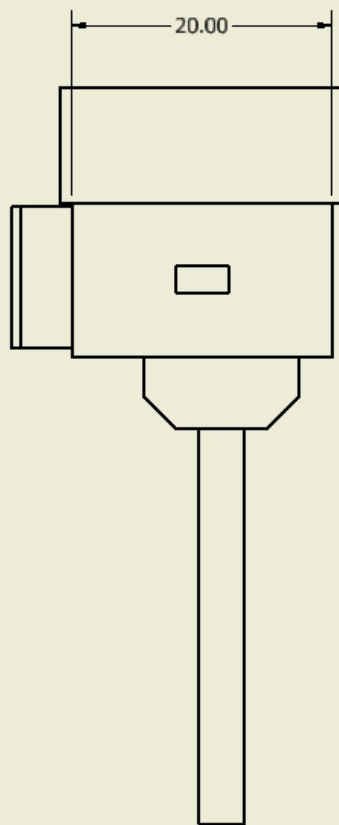
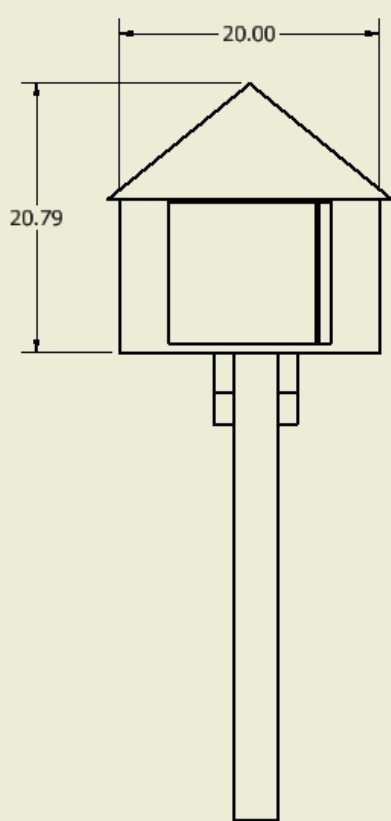


Date	11~28~17	Hayward Big Red	
Period	3rd		

This is the design for Lincoln. It is really an extra box as Lincoln decided they did not want one installed at this time. But we needed to make a 4th box based on my groups so we are holding it in case they change their mind in the future. See changes on next page.

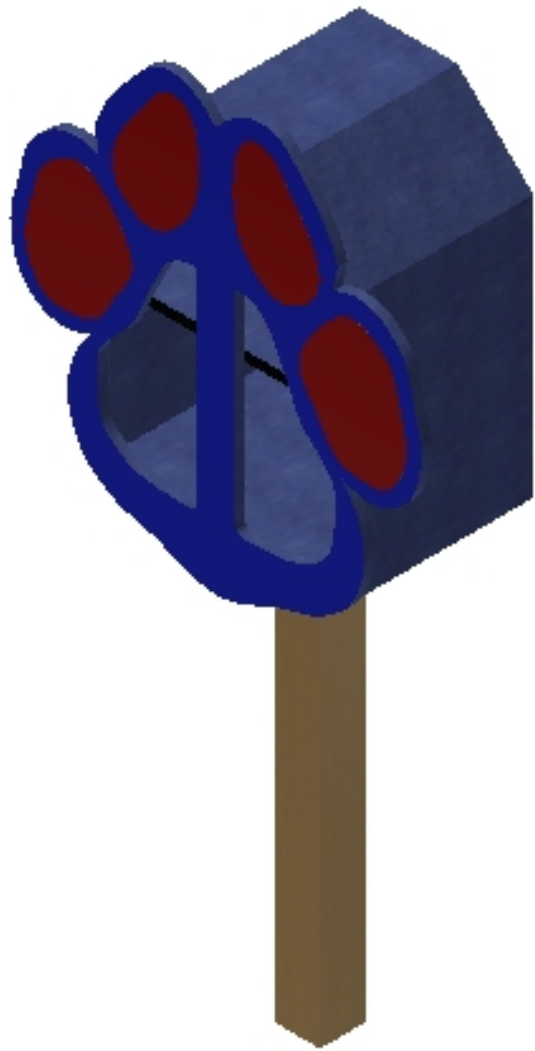
This one is about 16 wide by 15 deep, the height is the same. No shelf.

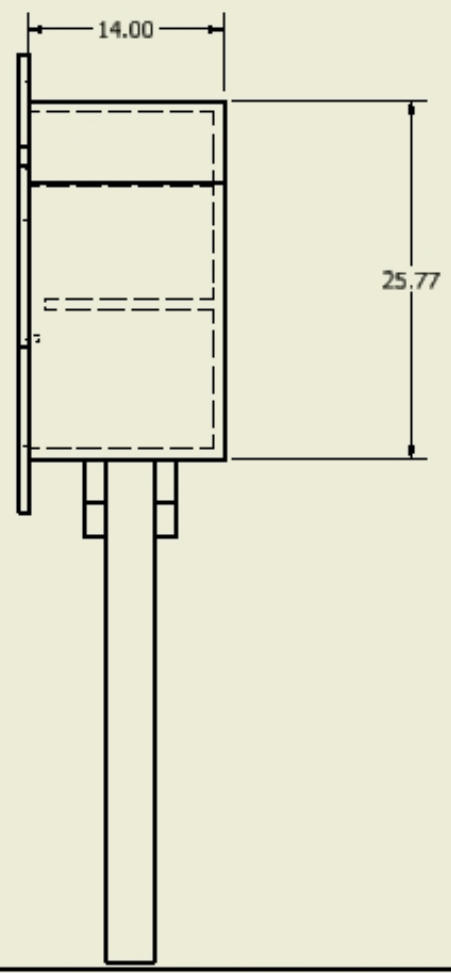
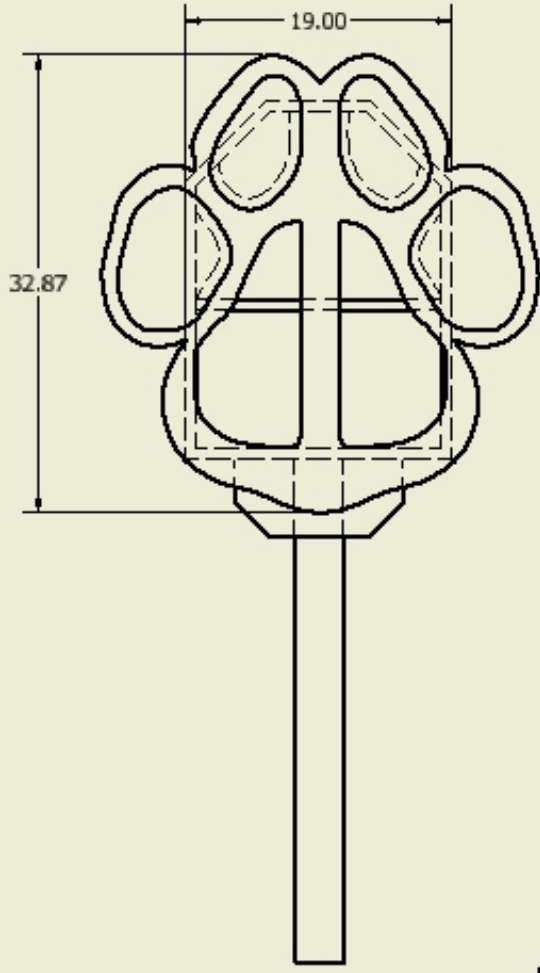




Date	11/28/2017	Hayward Big Red	
Period	4	Student Name	Juana pascual

This is for Perrin Woods. The original design had a butterfly door, Perrin Woods asked for it to be a paw print instead if we could do that. It has a shelf inside and it will be two doors that open from the middle. We will put some type of weathertight seal around the door as this is the only one that does not have a front overhang although that overhang is not shown in all of the pictures above.





Date	Hayward Big Red
Period	Student Name

