

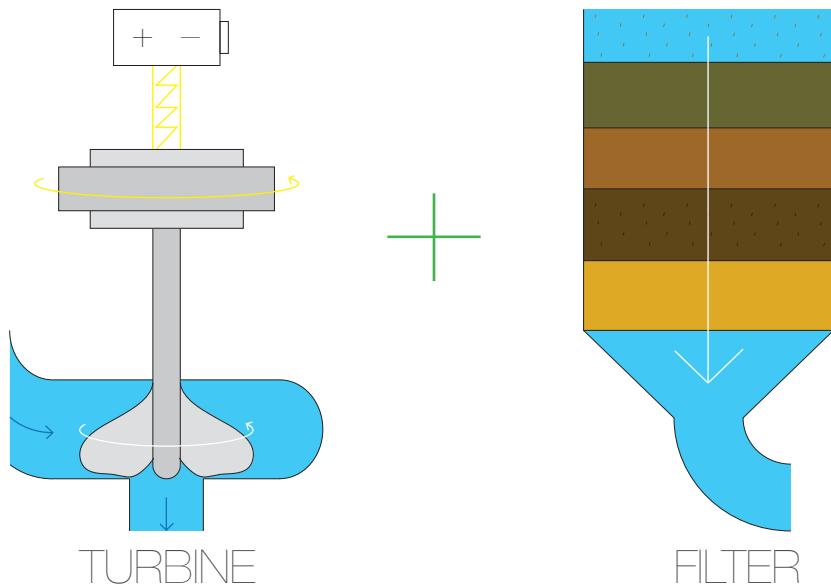
RAIN TURBINE

Challenges Climate change means natural resources such as rainwater, which many rely on for drinking, may be less accessible. Many people living in slums do not have secure access to other forms of clean water or electricity. Unmitigated rainfall also causes erosion and flooding.

Opportunity As rainfall becomes less predictable, adequate collection and storage is essential. Rain has significant potential energy as it falls, and rain that is collected before hitting the ground lessens the chance of erosion and floods.

Solution A simple rainwater collection system that combines a small turbine to generate electricity from the rain as it falls with a replaceable water filter to clean collected water for storage and later use.

- A** Rain collection spout
- B** 3D printed micro-turbine
- C** Generator
- D** Battery
- E** Replaceable water filter
- F** Cistern



A SYSTEM FOR COLLECTING DRINKABLE RAINWATER AND GENERATING ELECTRICITY

