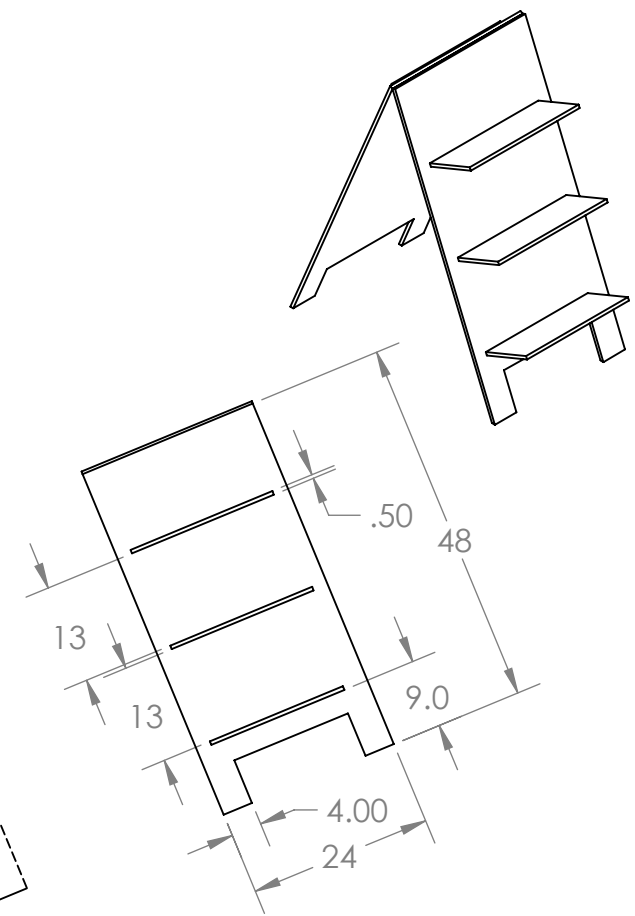
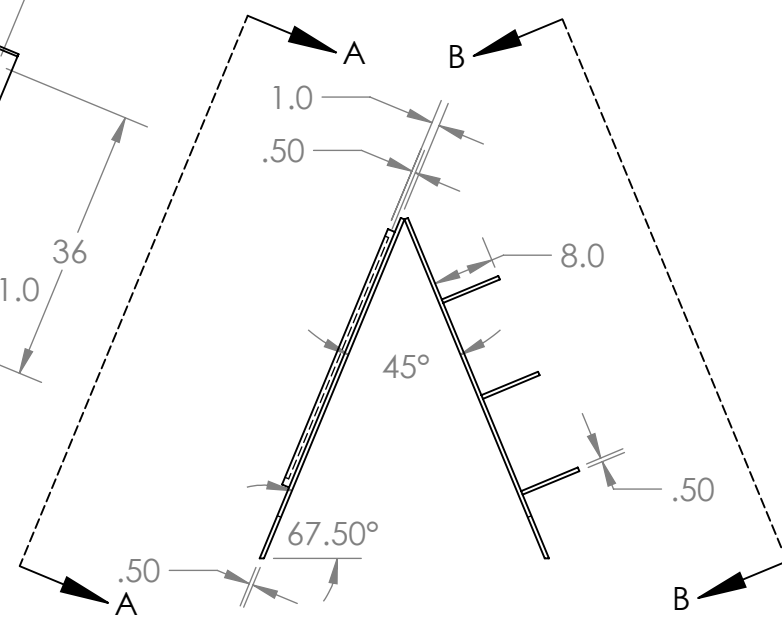
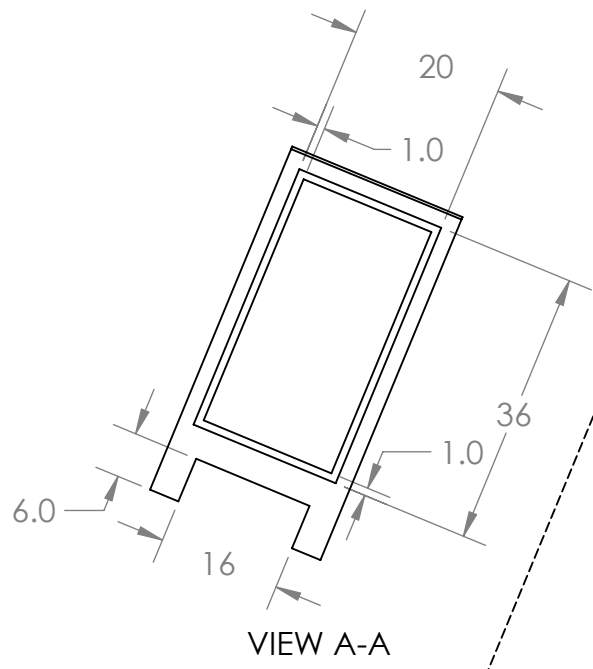


2

1

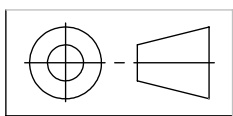
B

B



A

A



PROPRIETARY AND CONFIDENTIAL
 THE INFORMATION CONTAINED IN THIS DRAWING IS THE SOLE PROPERTY OF <INSERT COMPANY NAME HERE>. ANY REPRODUCTION IN PART OR AS A WHOLE WITHOUT THE WRITTEN PERMISSION OF <INSERT COMPANY NAME HERE> IS PROHIBITED.

		UNLESS OTHERWISE SPECIFIED:	NAME	DATE
		DIMENSIONS ARE IN INCHES	DRAWN	Dan P.
		TOLERANCES:	CHECKED	
		X.X ± 0.1	ENG APPR.	
		X.XX ± 0.05	MFG APPR.	
		X.XXX ± 0.005	Q.A.	
		ANGULAR ± 1°	COMMENTS:	
		INTERPRET GEOMETRIC TOLERANCING PER:		
		MATERIAL		
		FINISH		
NEXT ASSY	USED ON			
APPLICATION		DO NOT SCALE DRAWING		

University of Dayton		
TITLE:		
Little Library		
SIZE	DWG. NO.	REV
A		
SCALE: 1:25 WEIGHT:		SHEET 1 OF 1

2

1